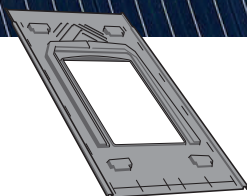
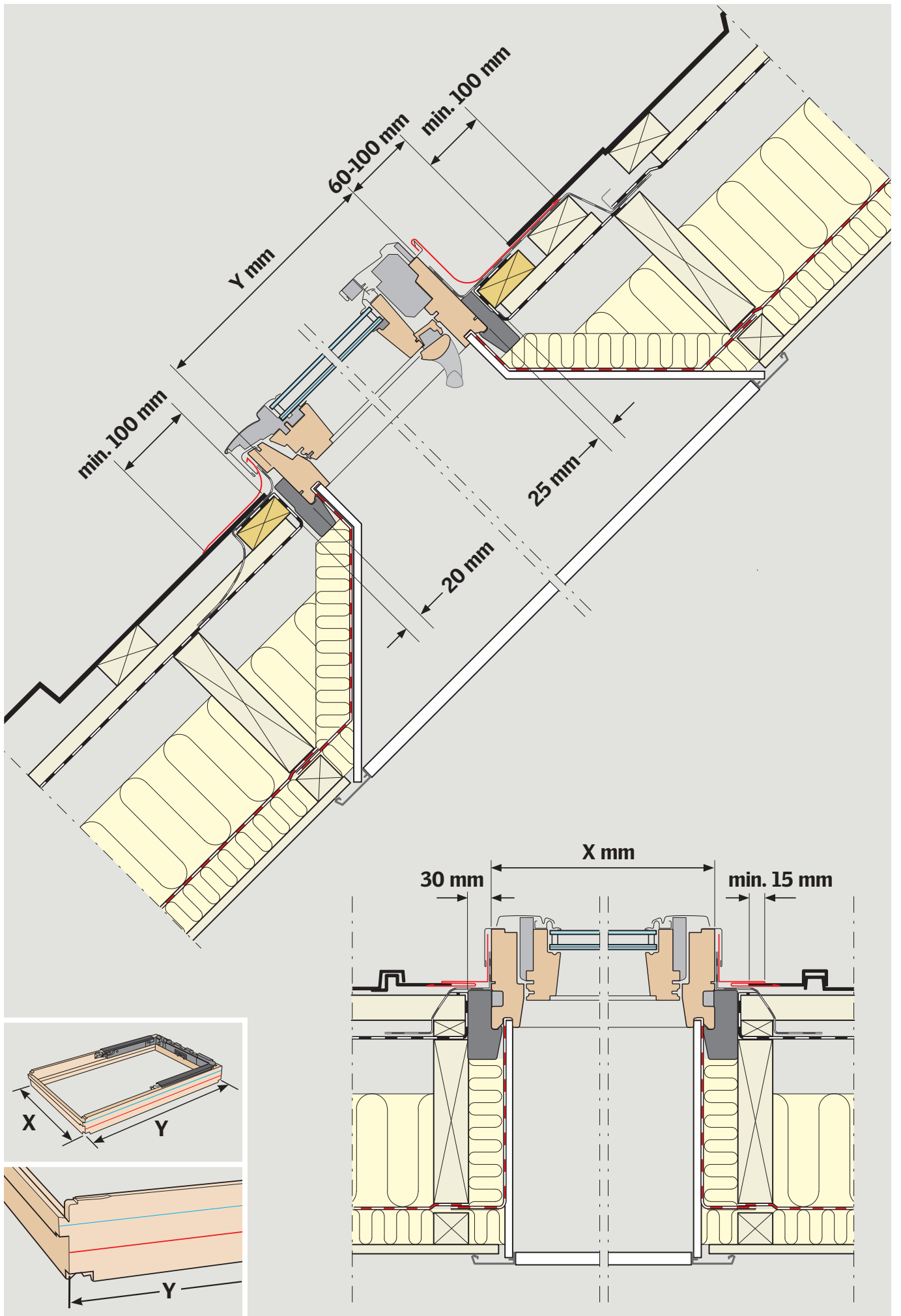
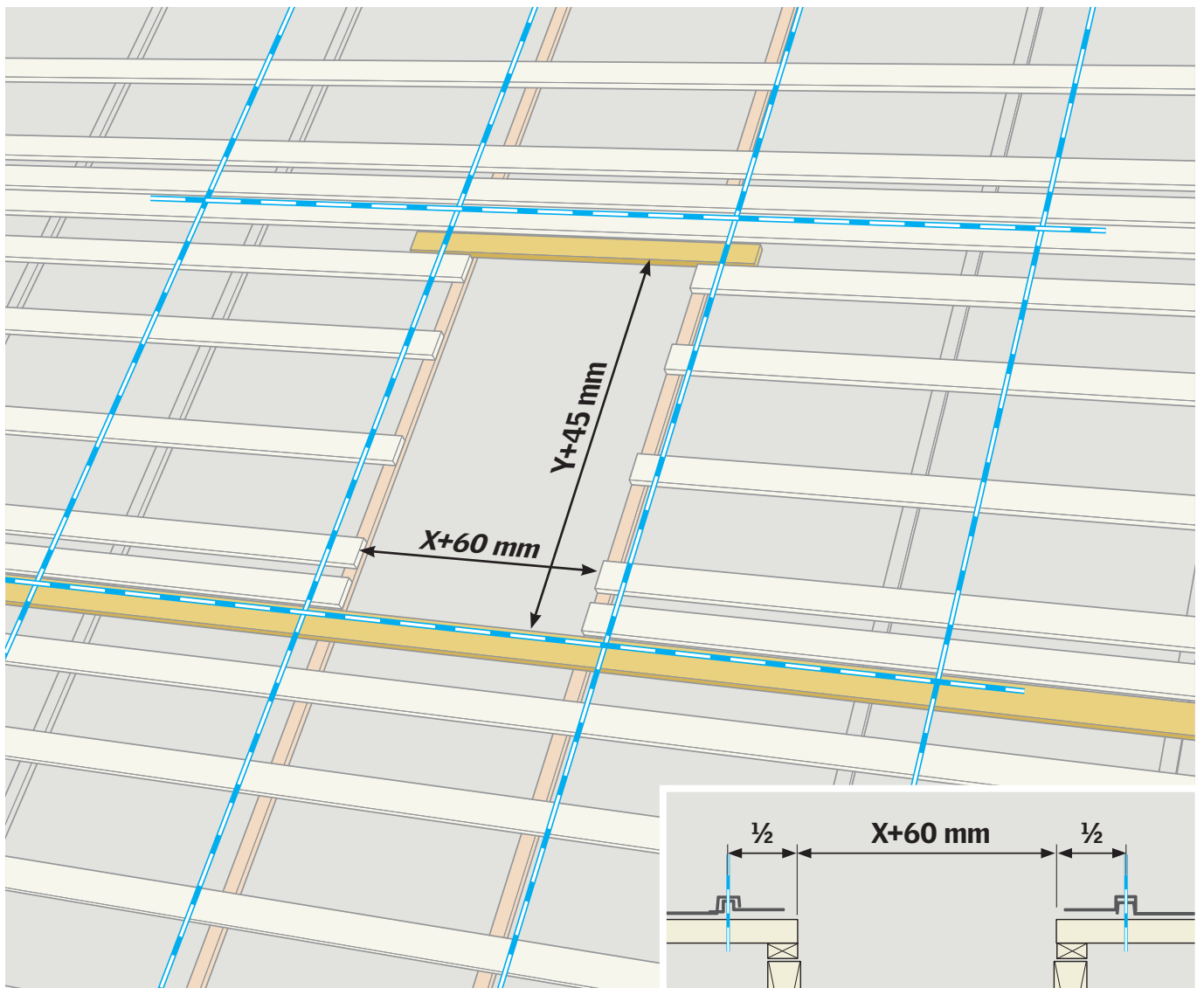
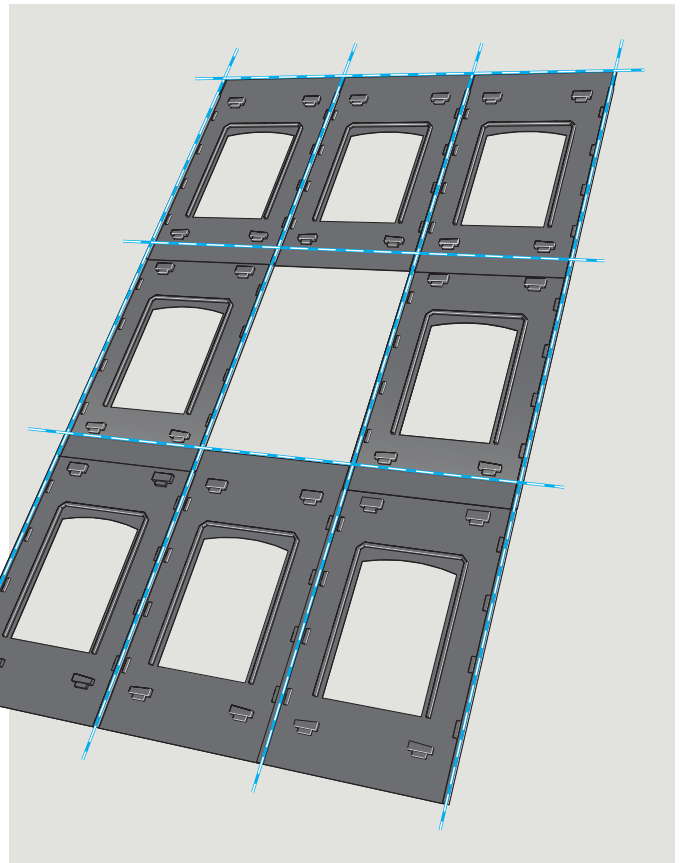
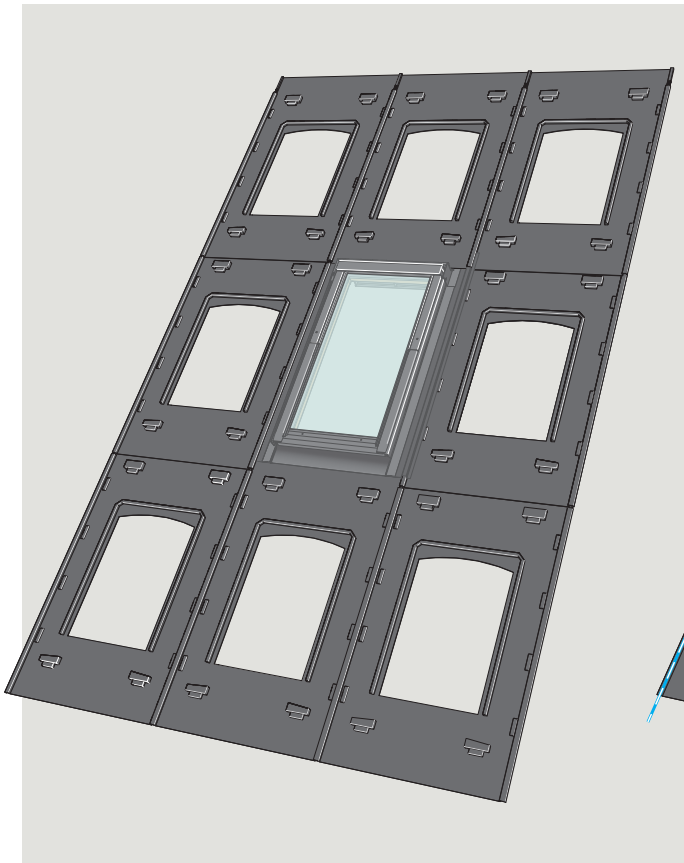
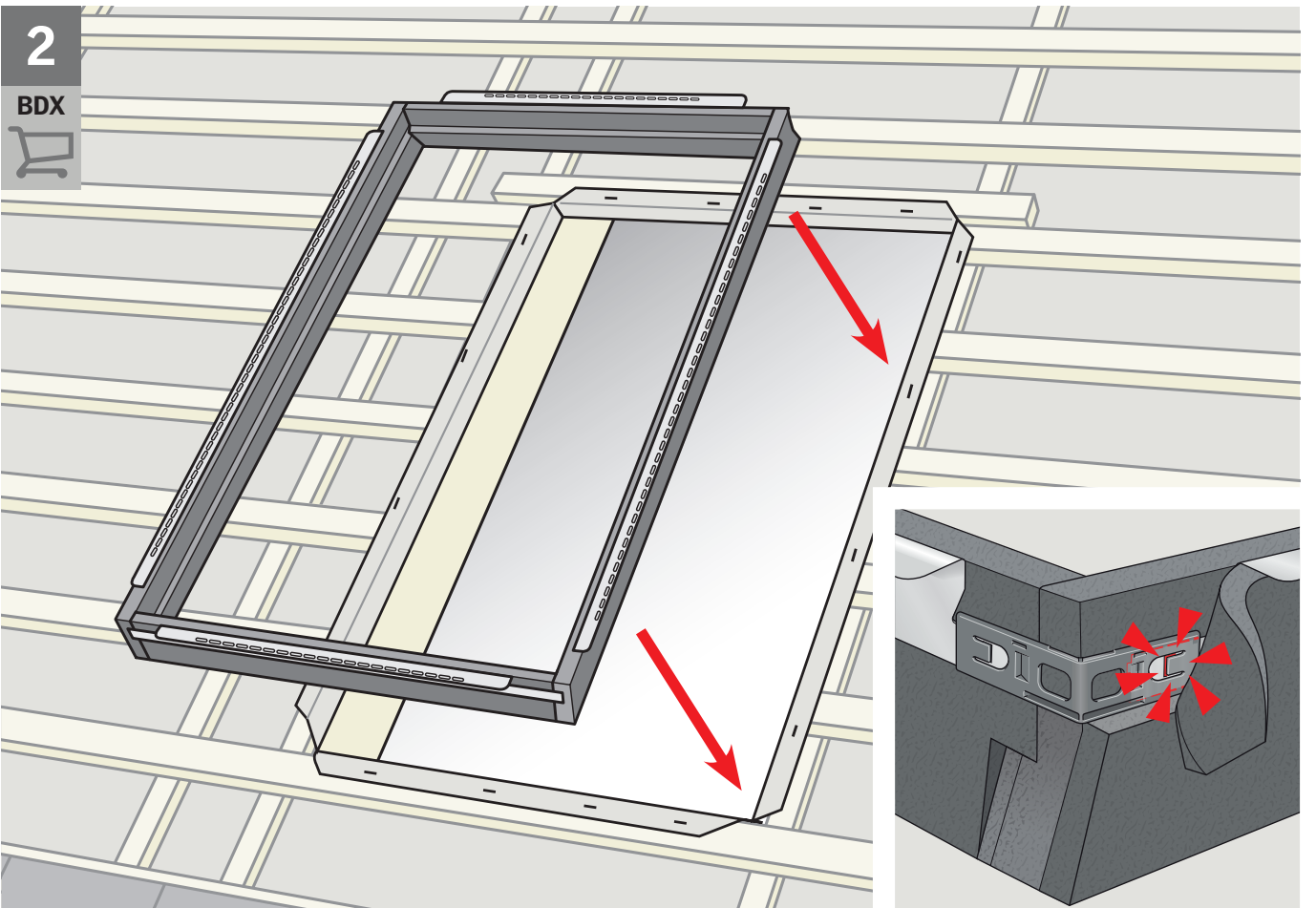
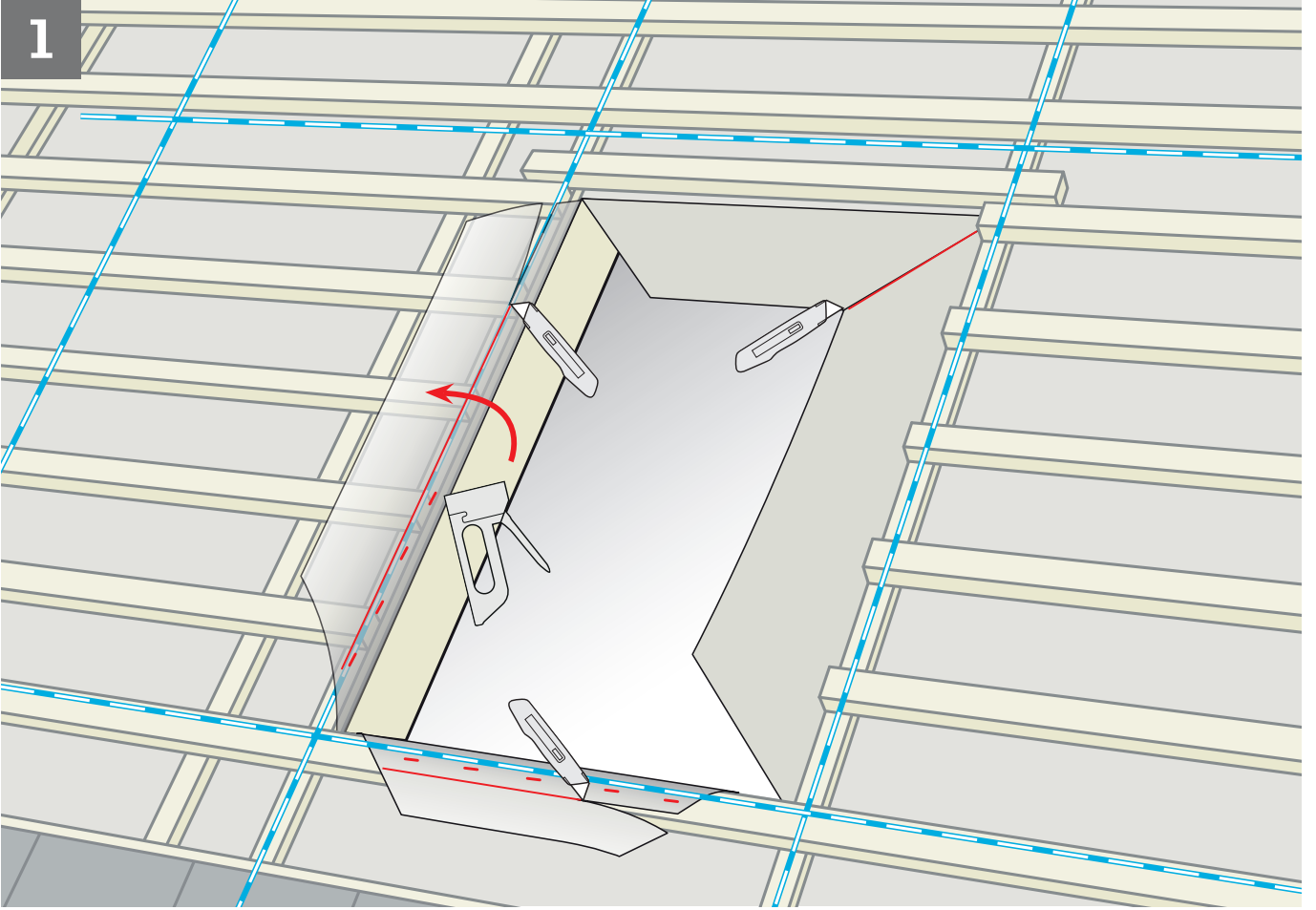


# ODL for GSE IN-ROOF SYSTEM™

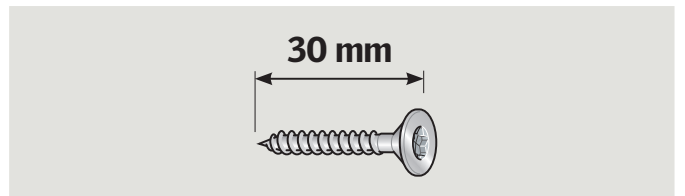
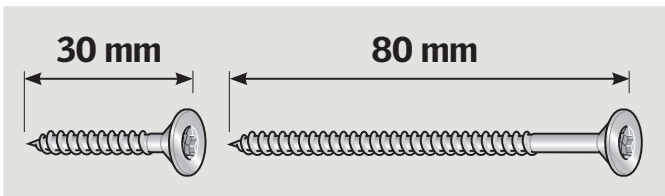
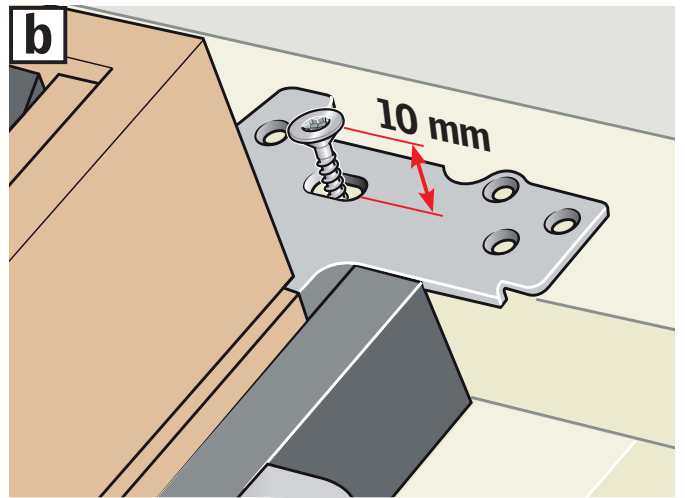
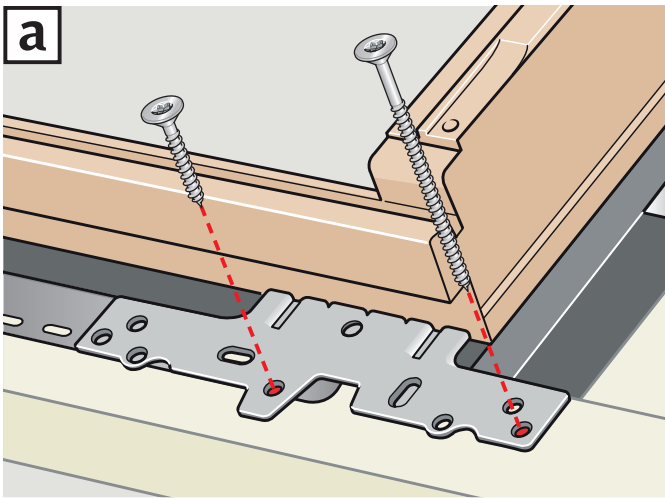
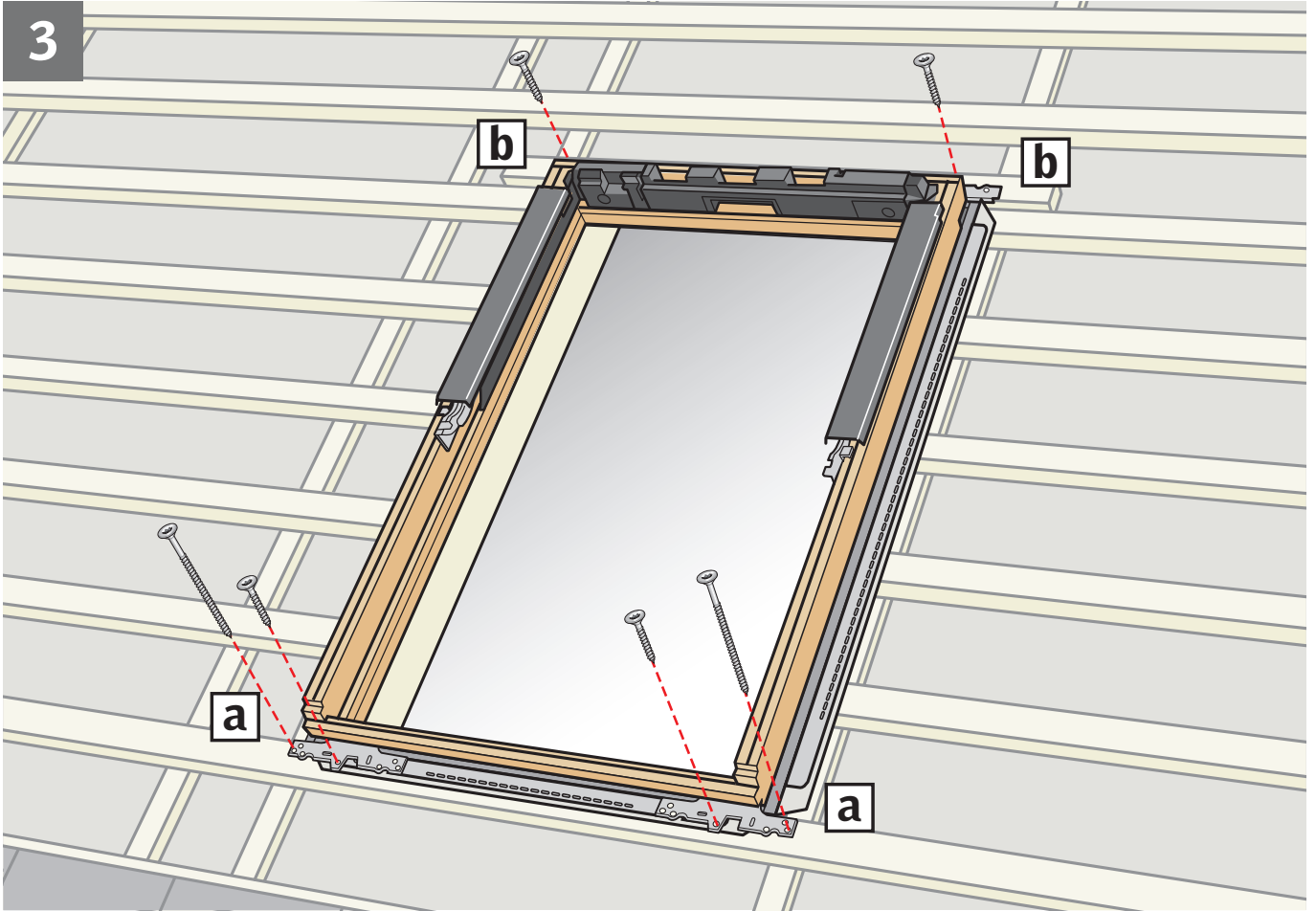


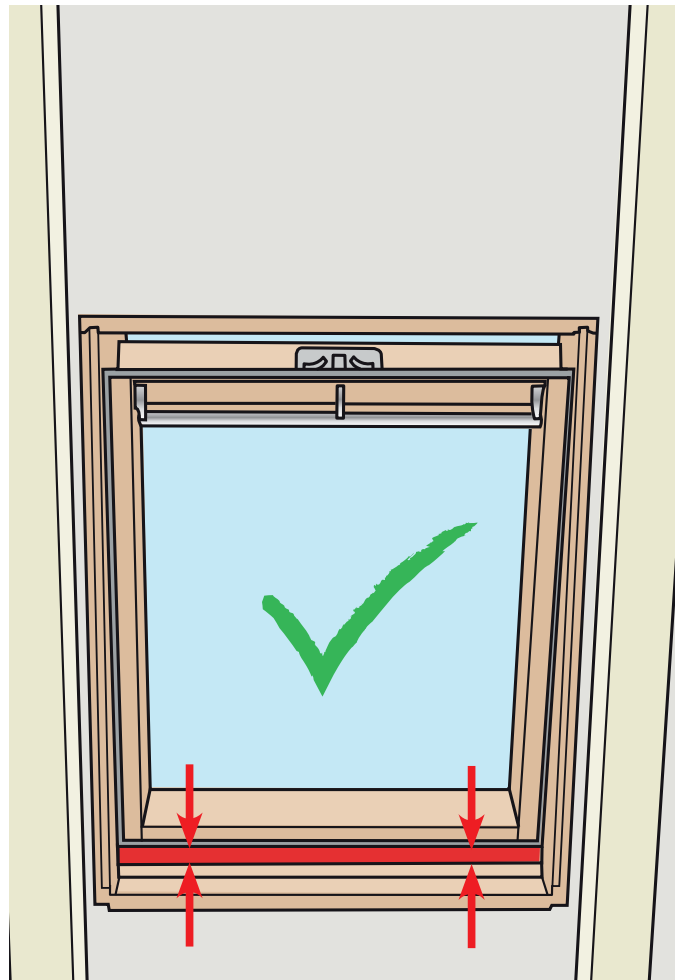
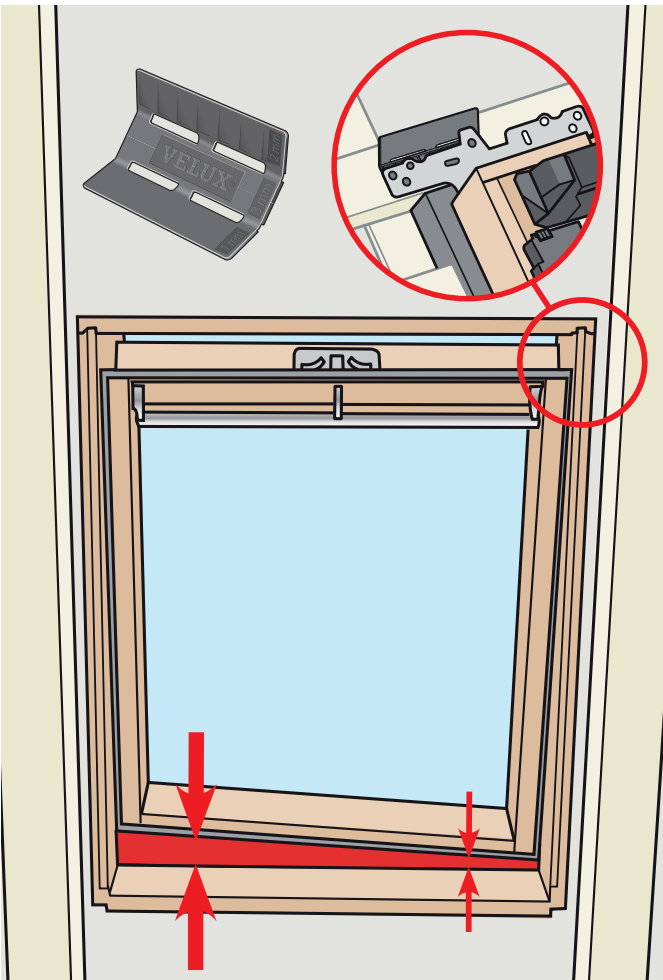
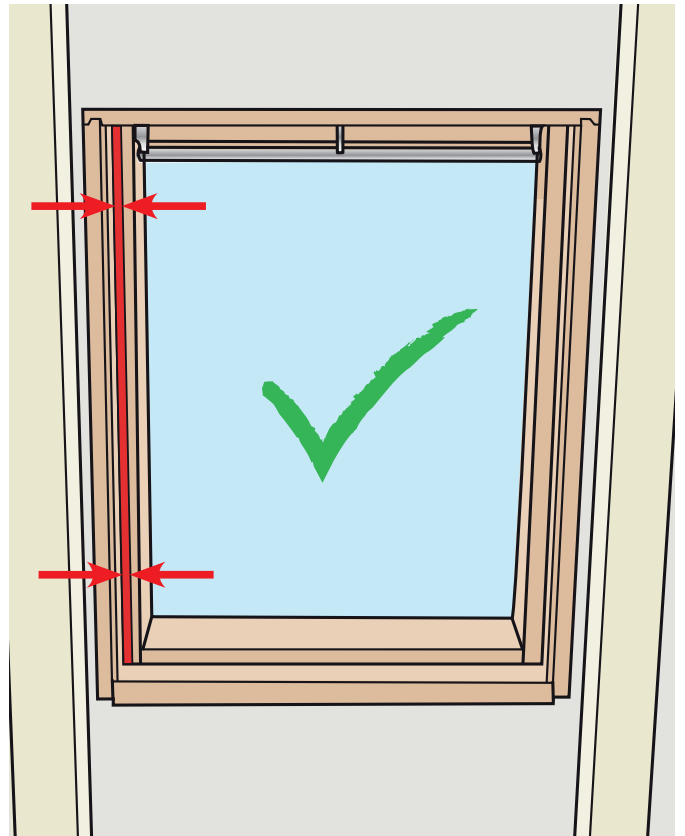
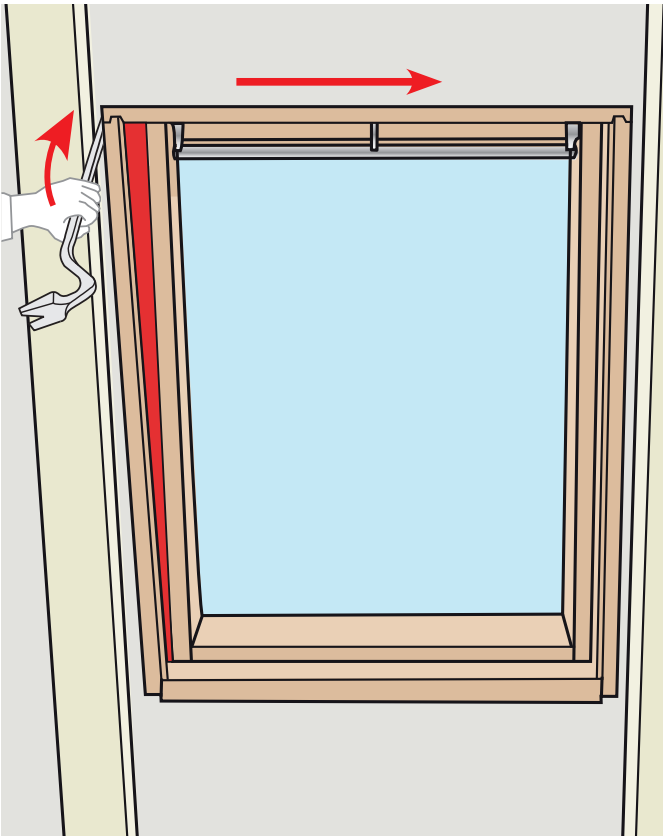




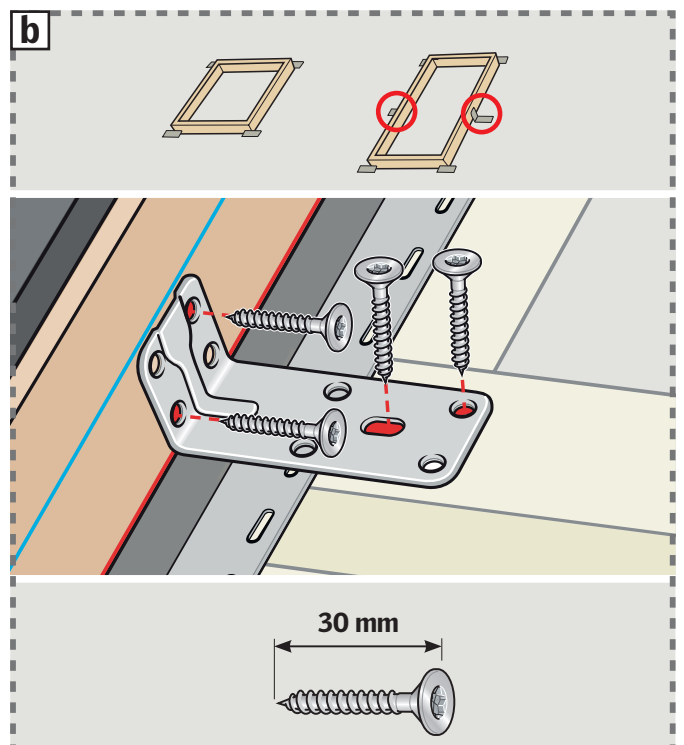
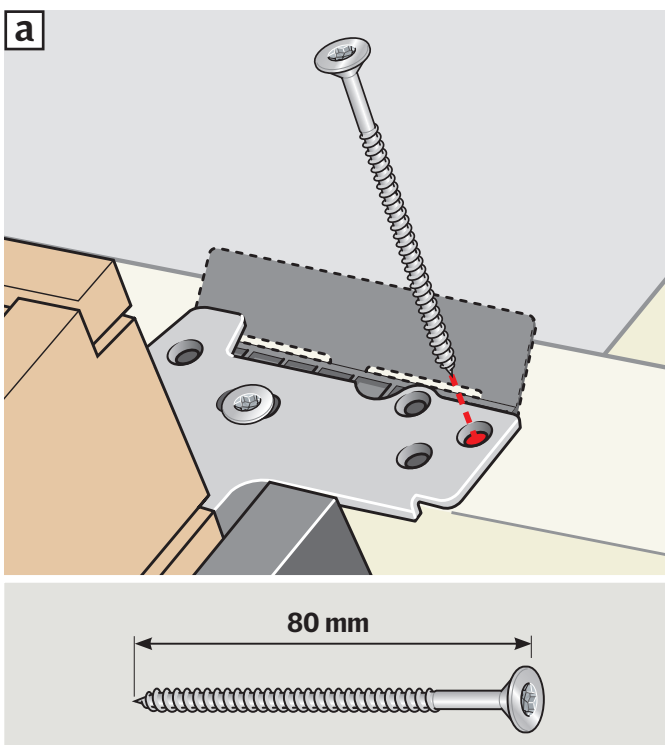
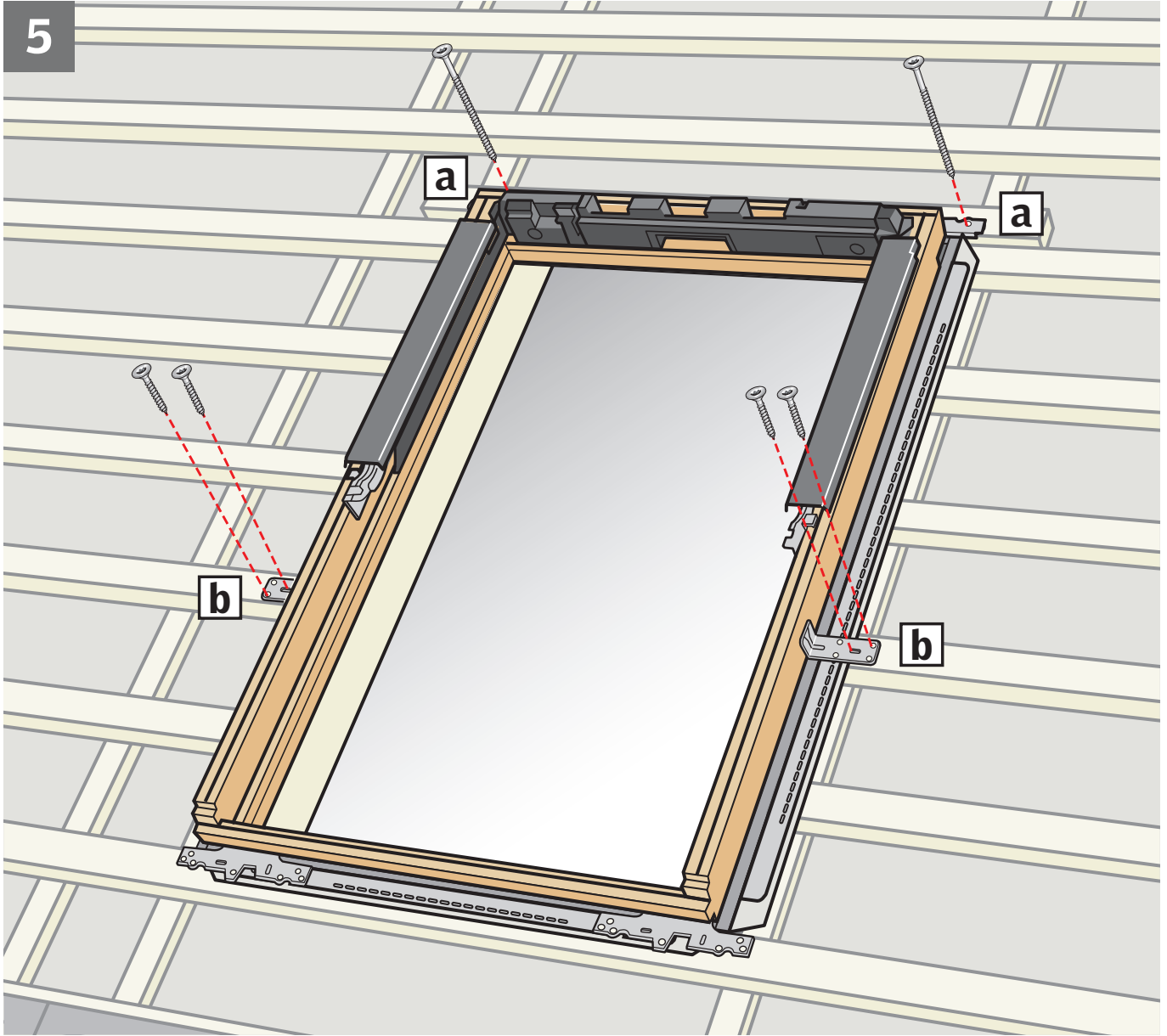


3

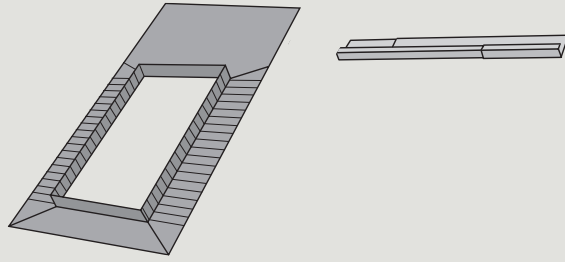




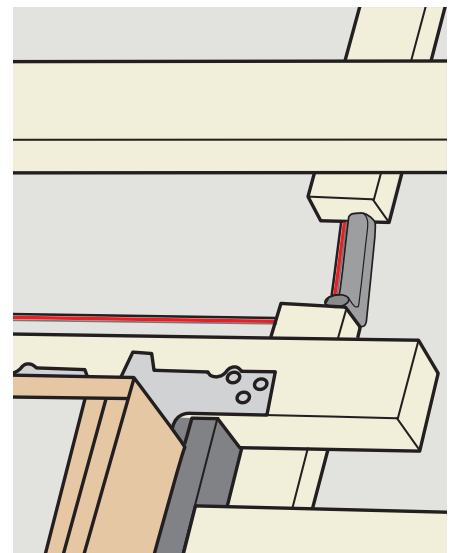
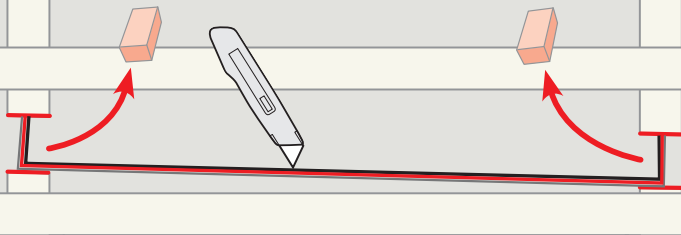
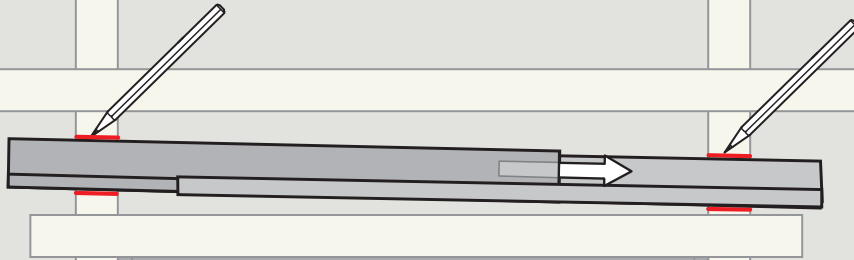
5



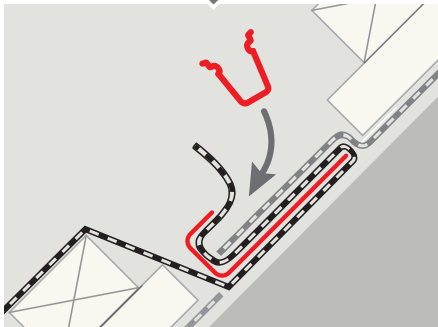
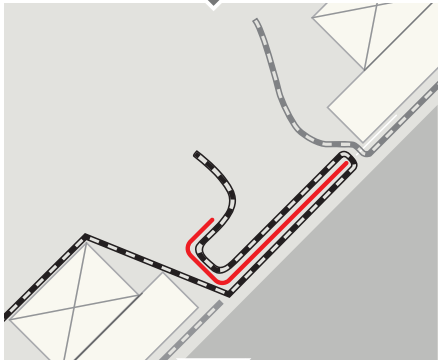
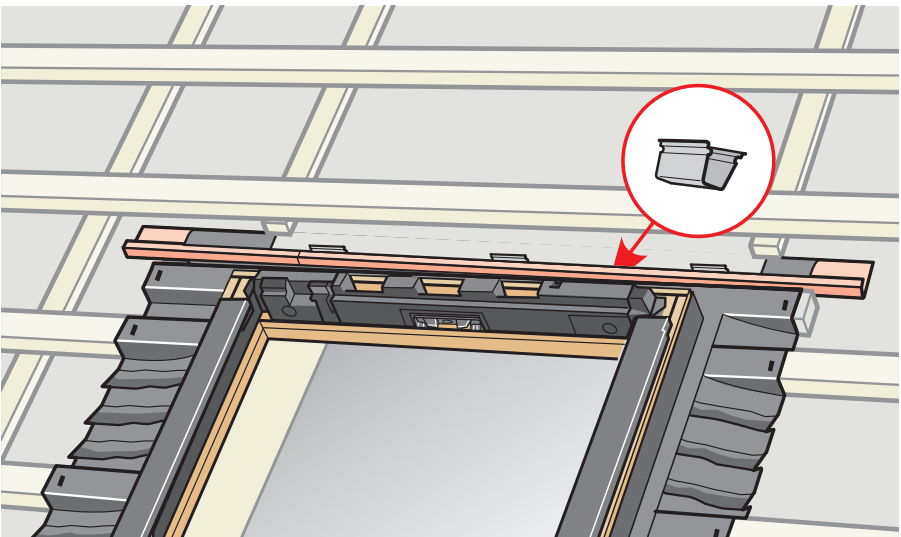
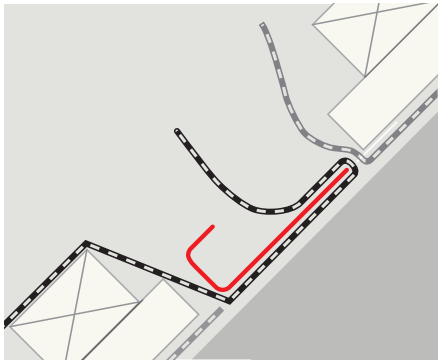
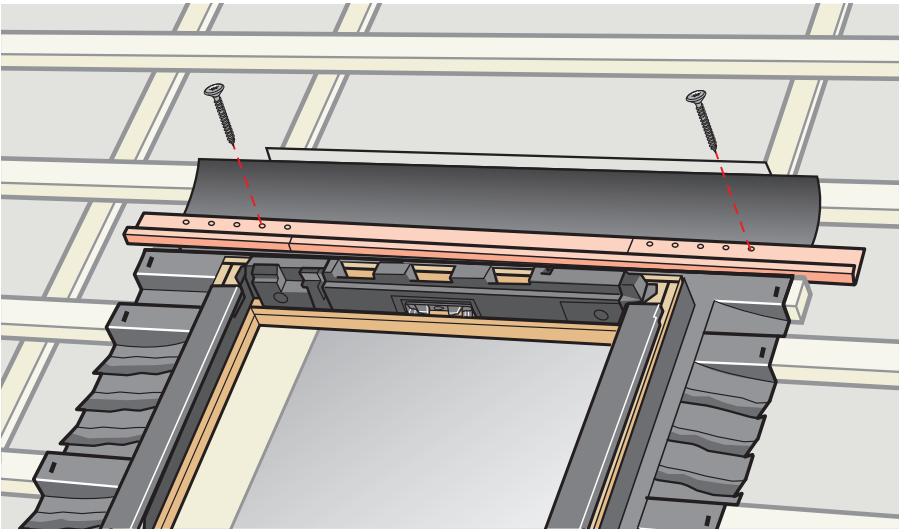
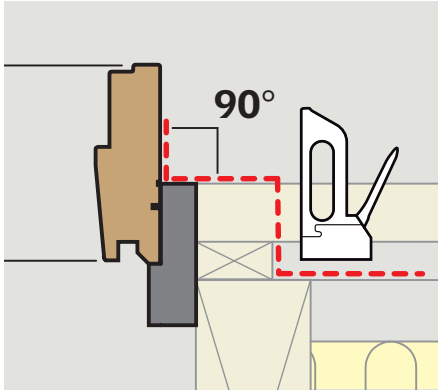
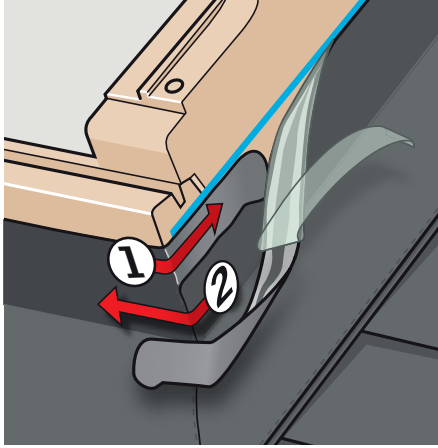
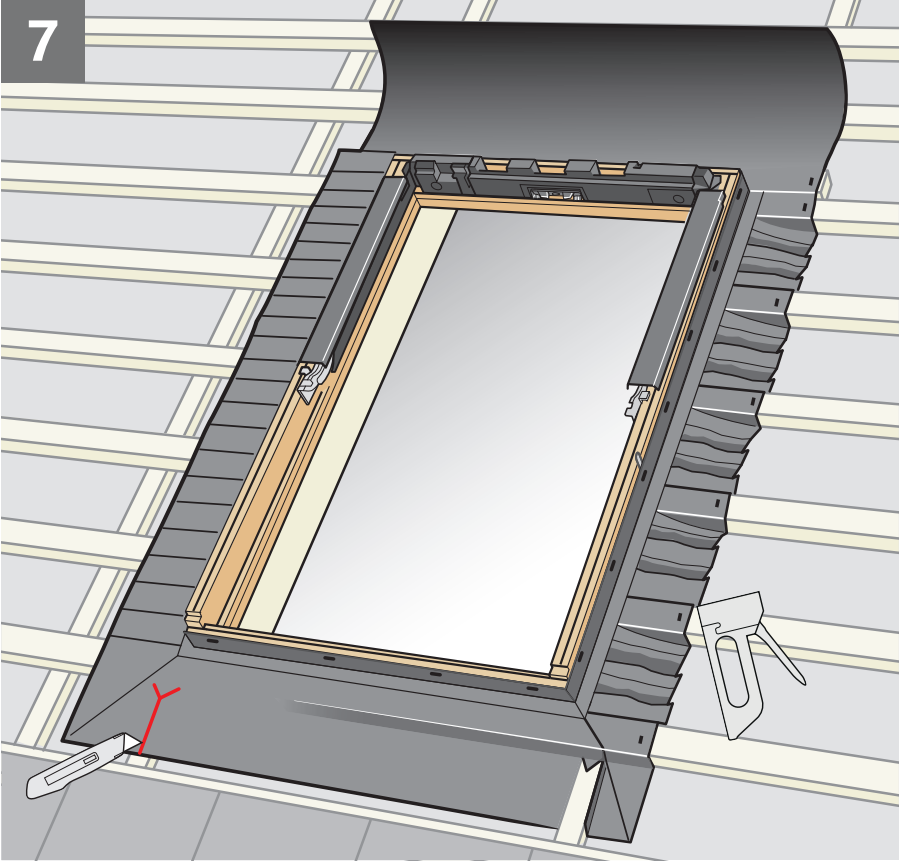
**BFX**



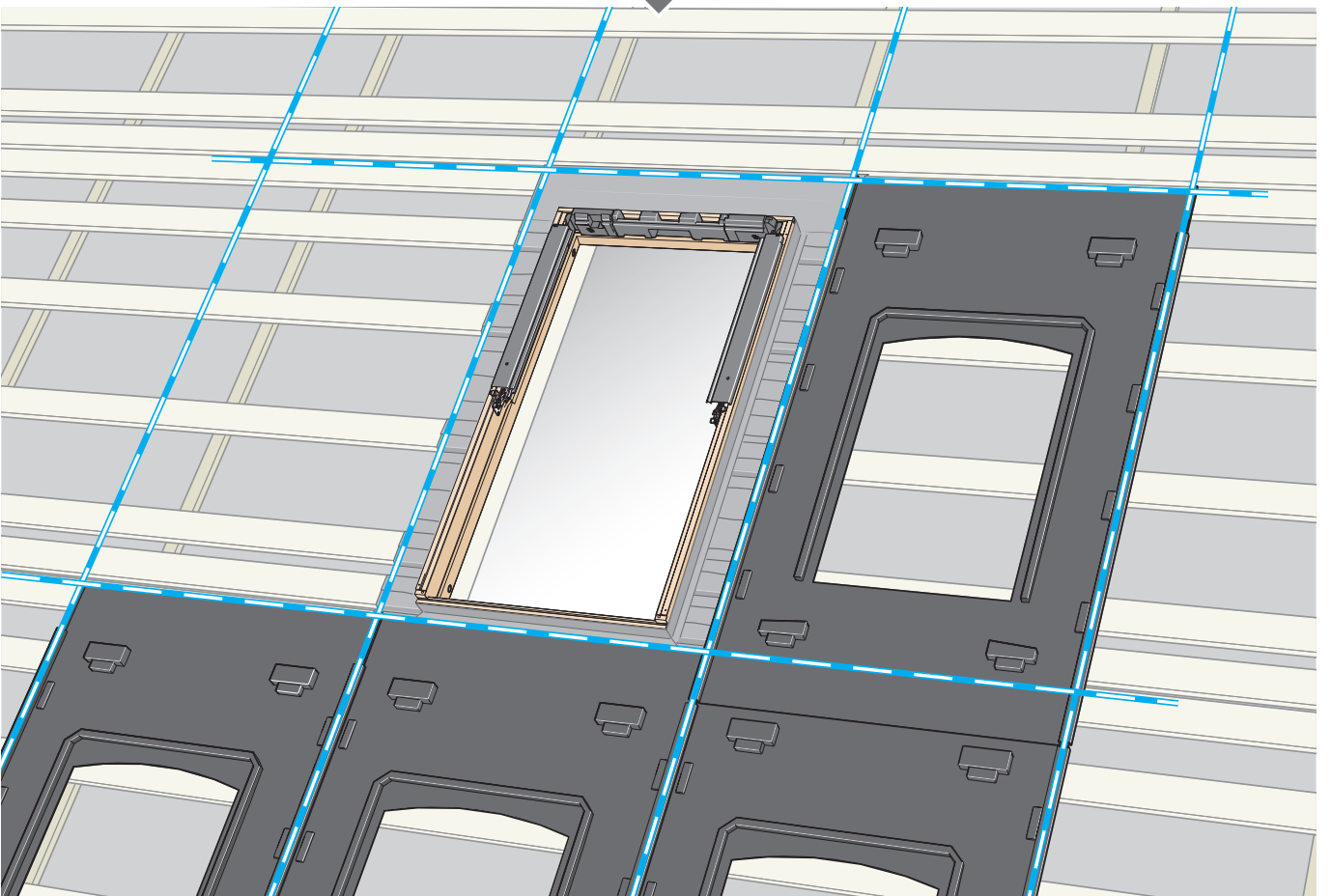
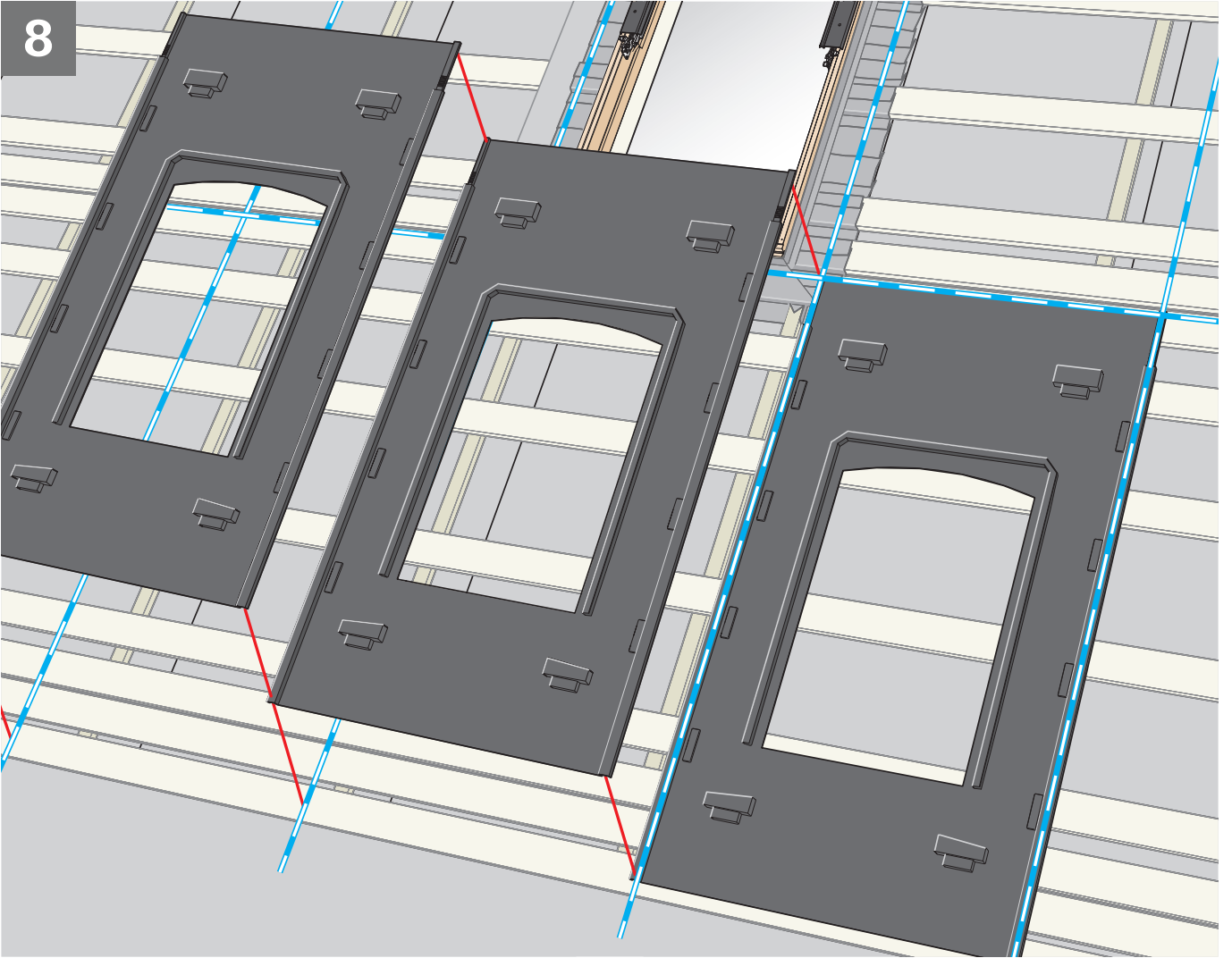
**6**

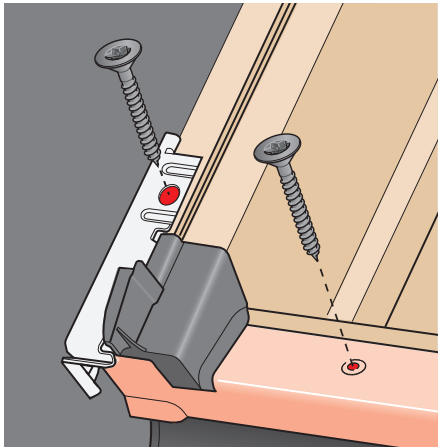
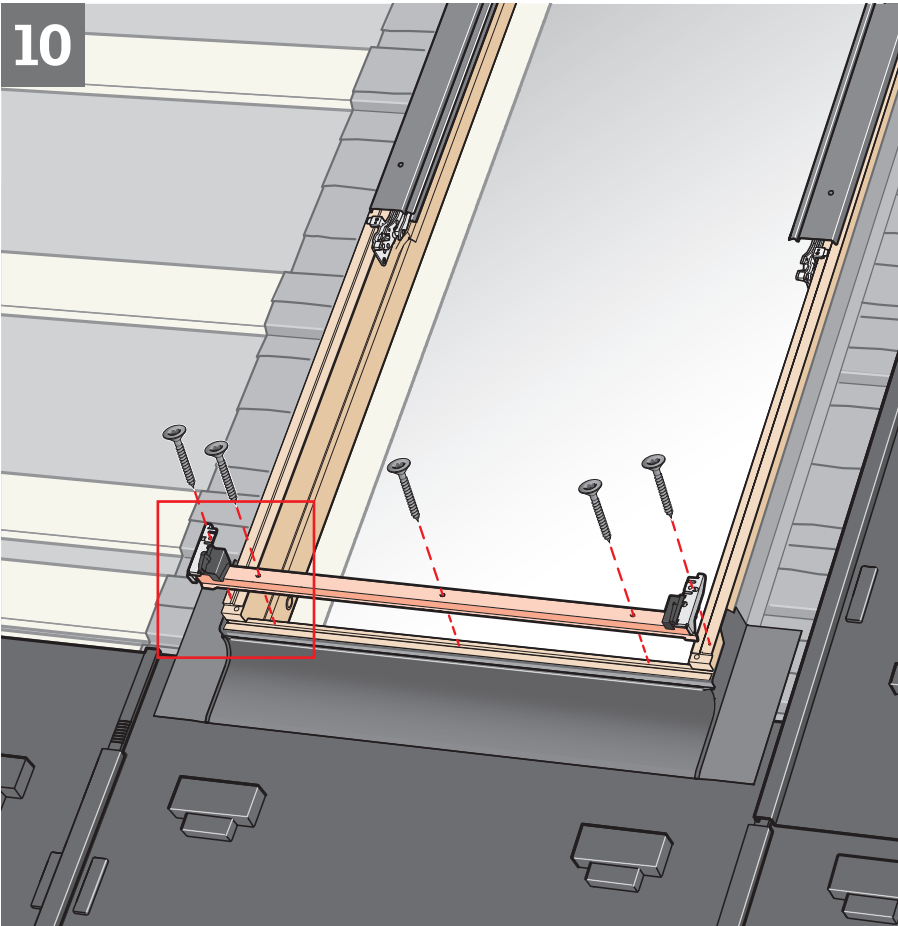
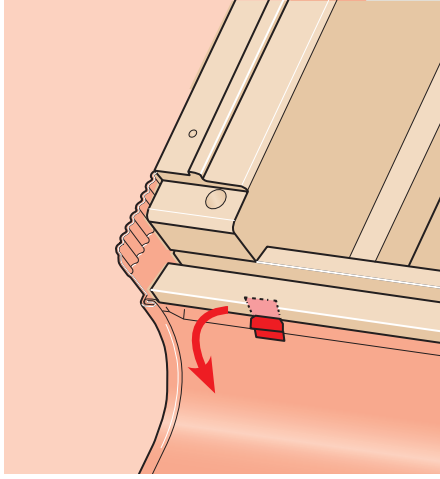
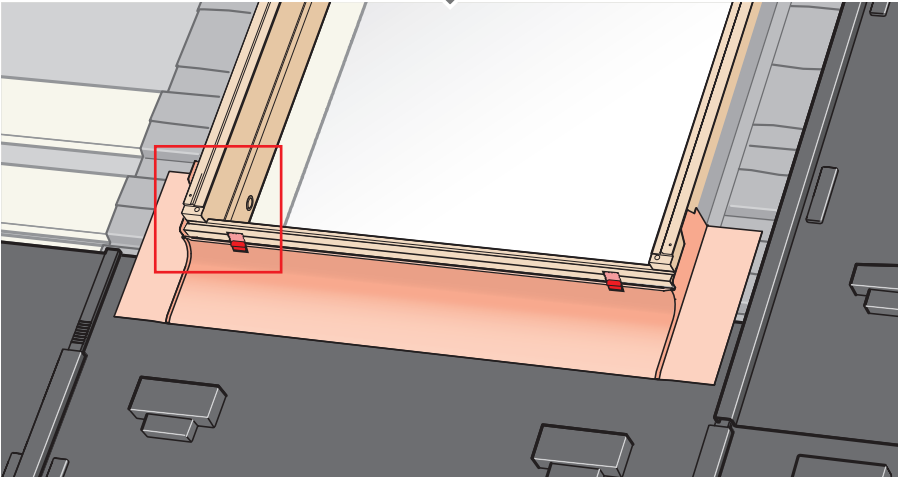
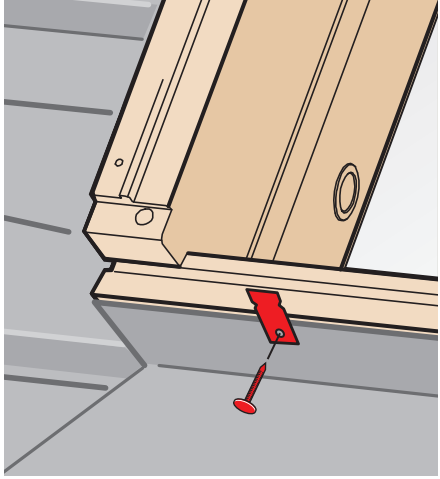
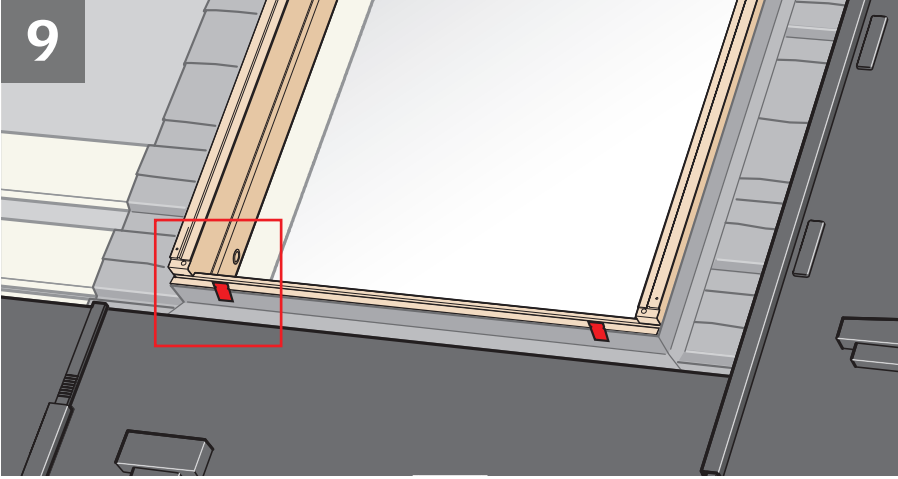




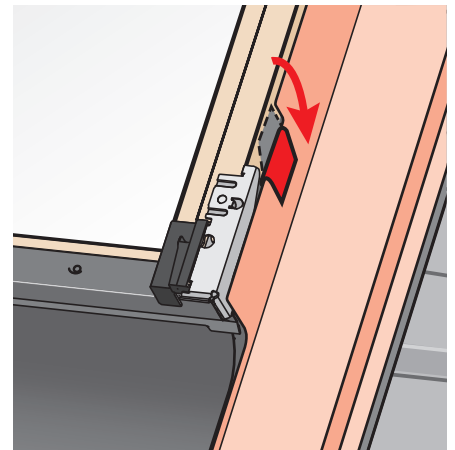
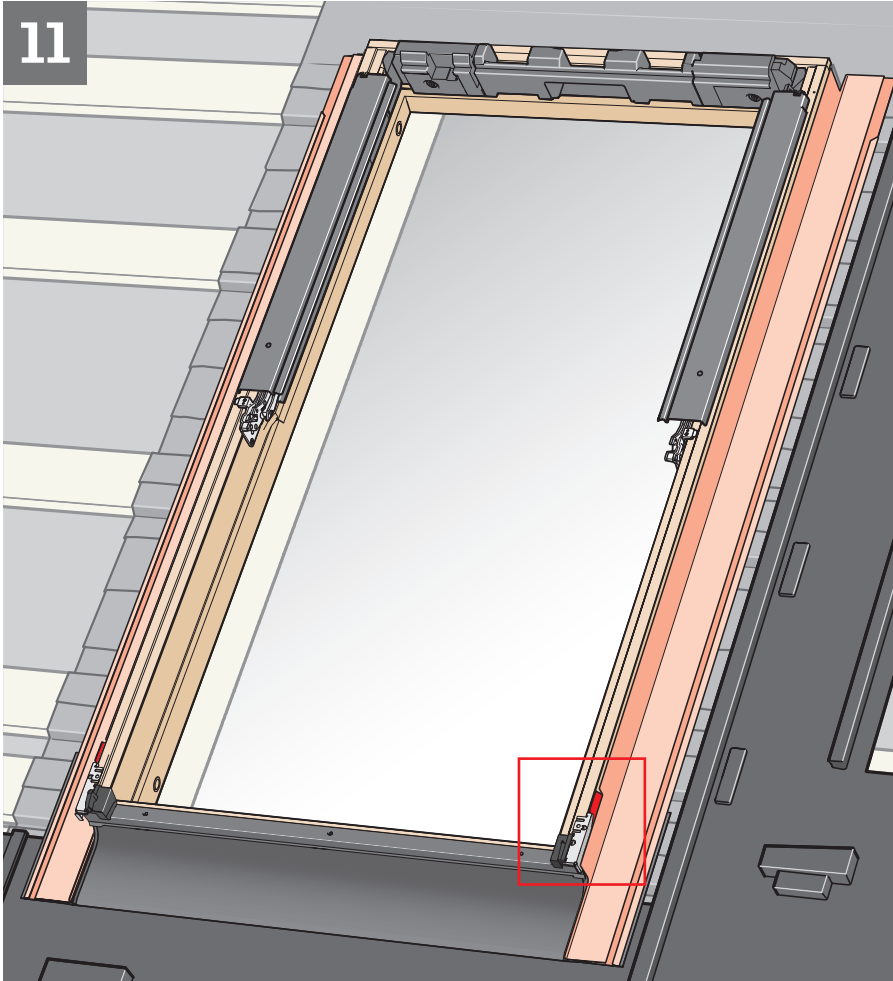


8

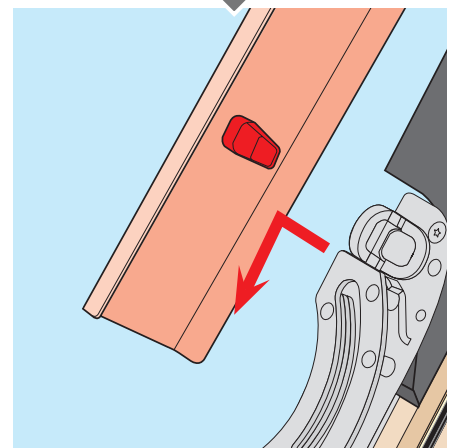
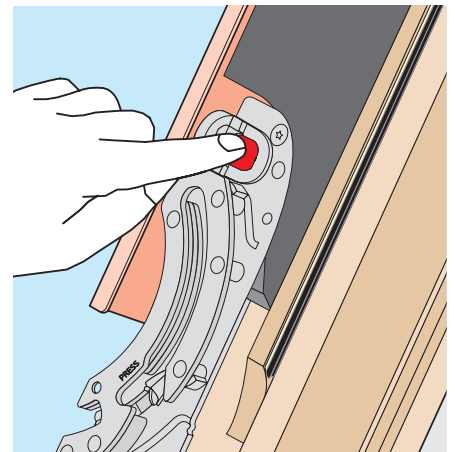
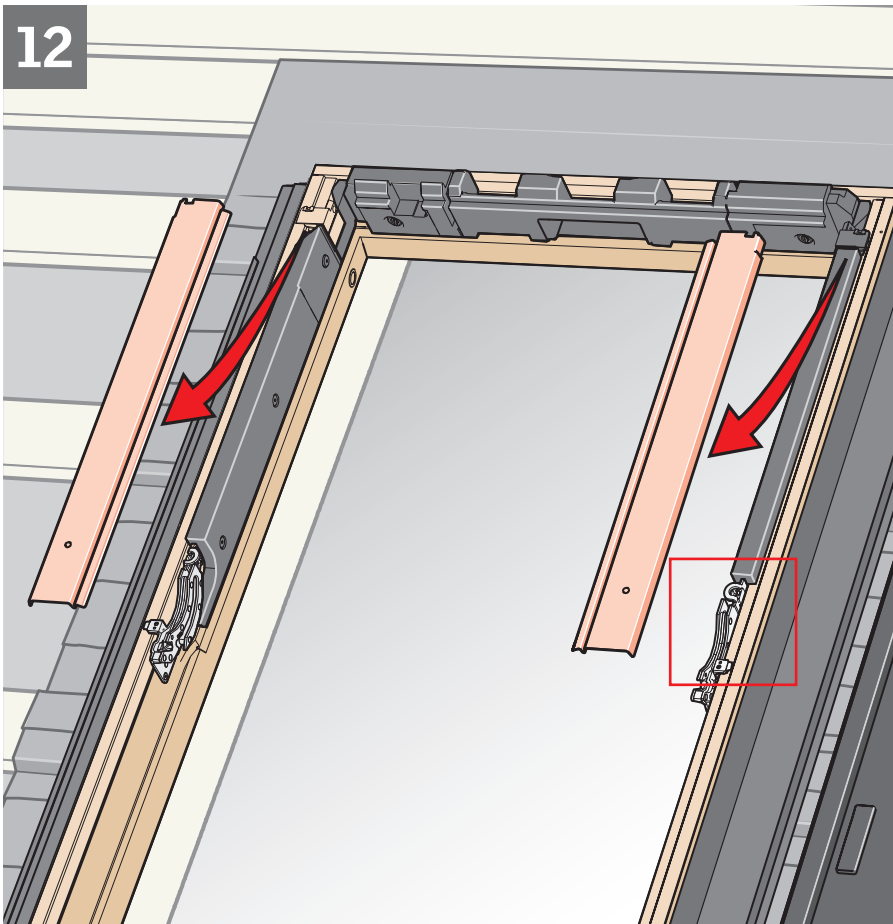




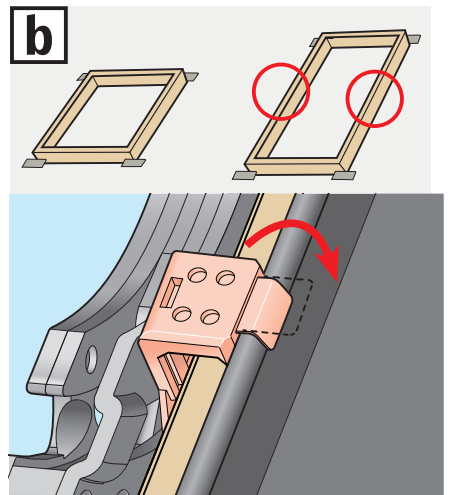
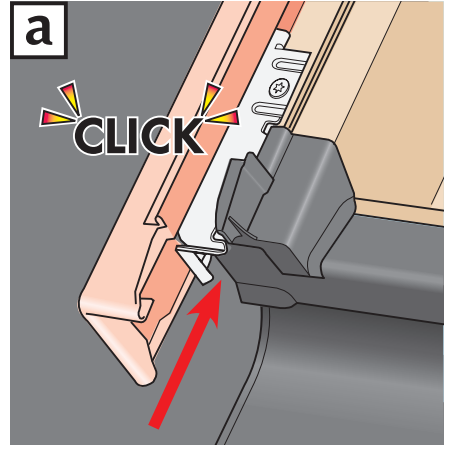
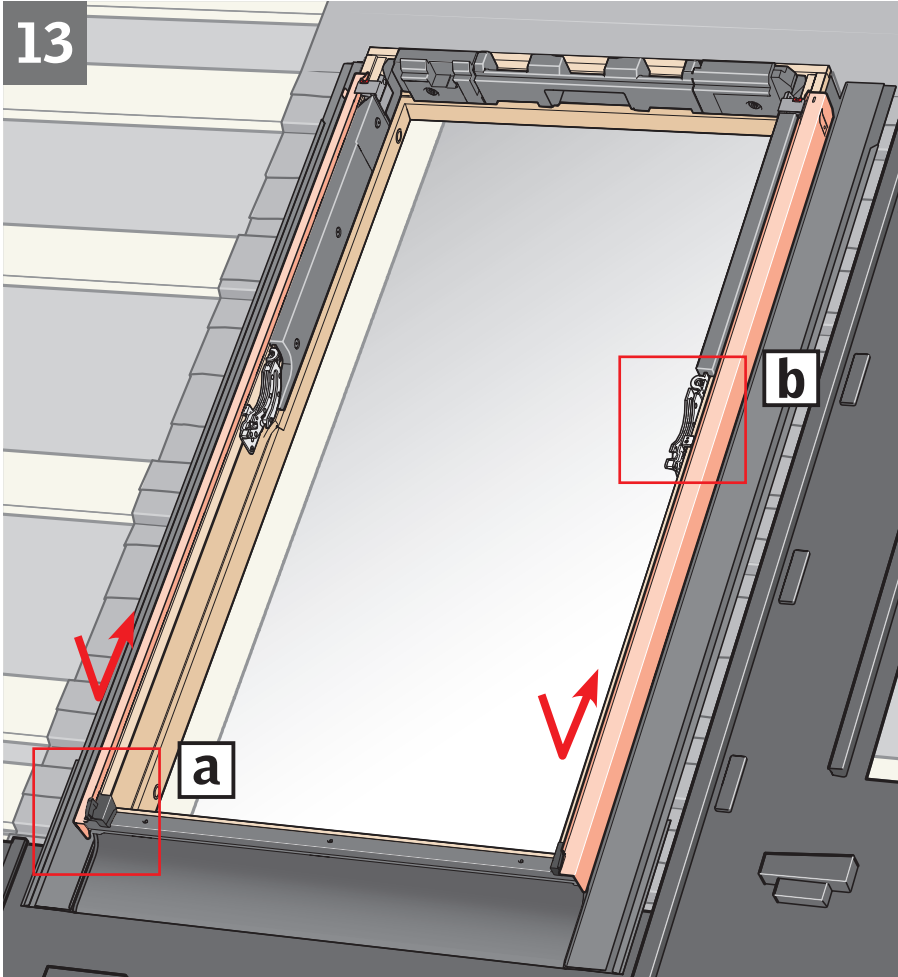
11



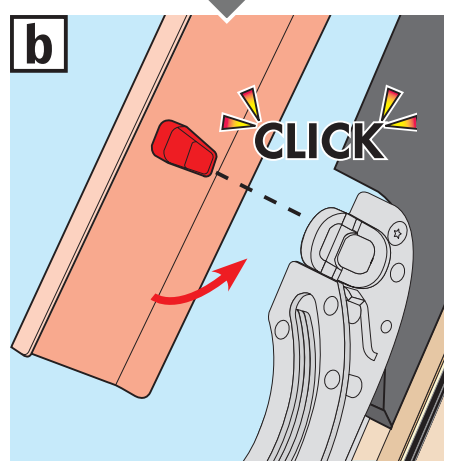
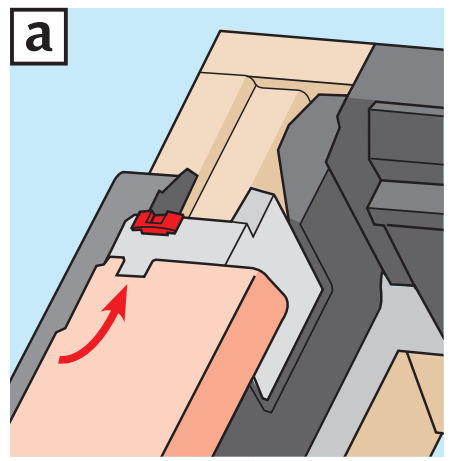
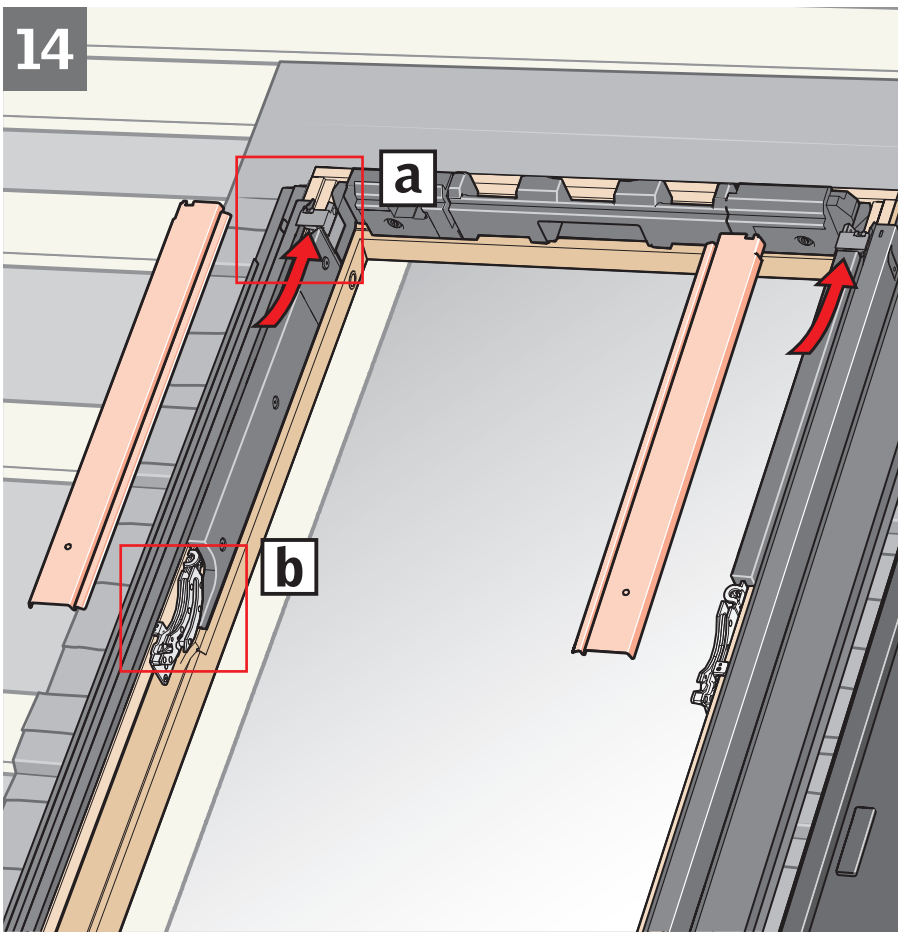
12



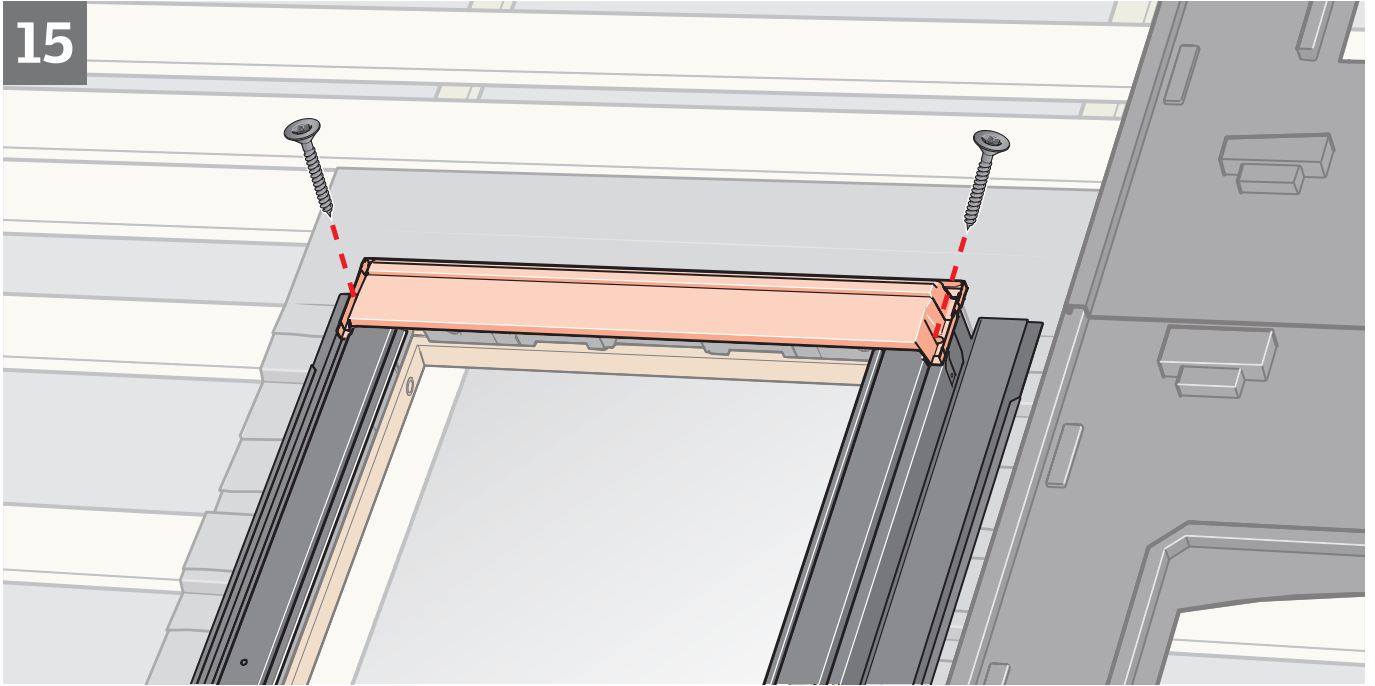
13



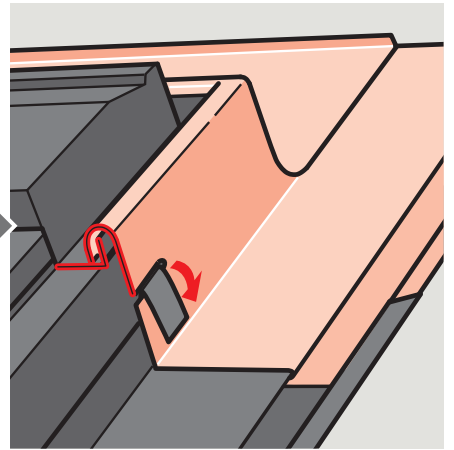
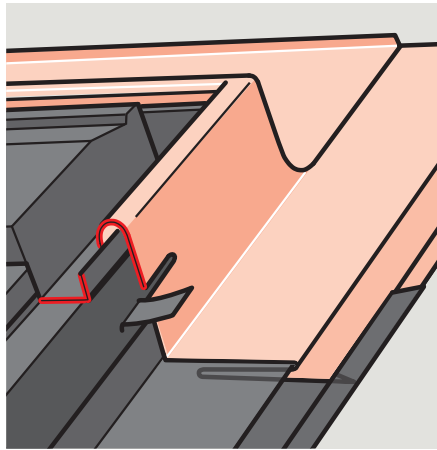
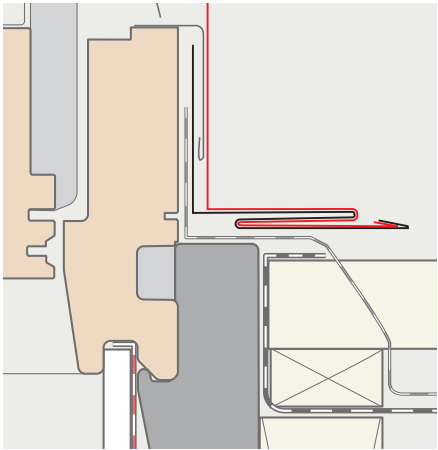
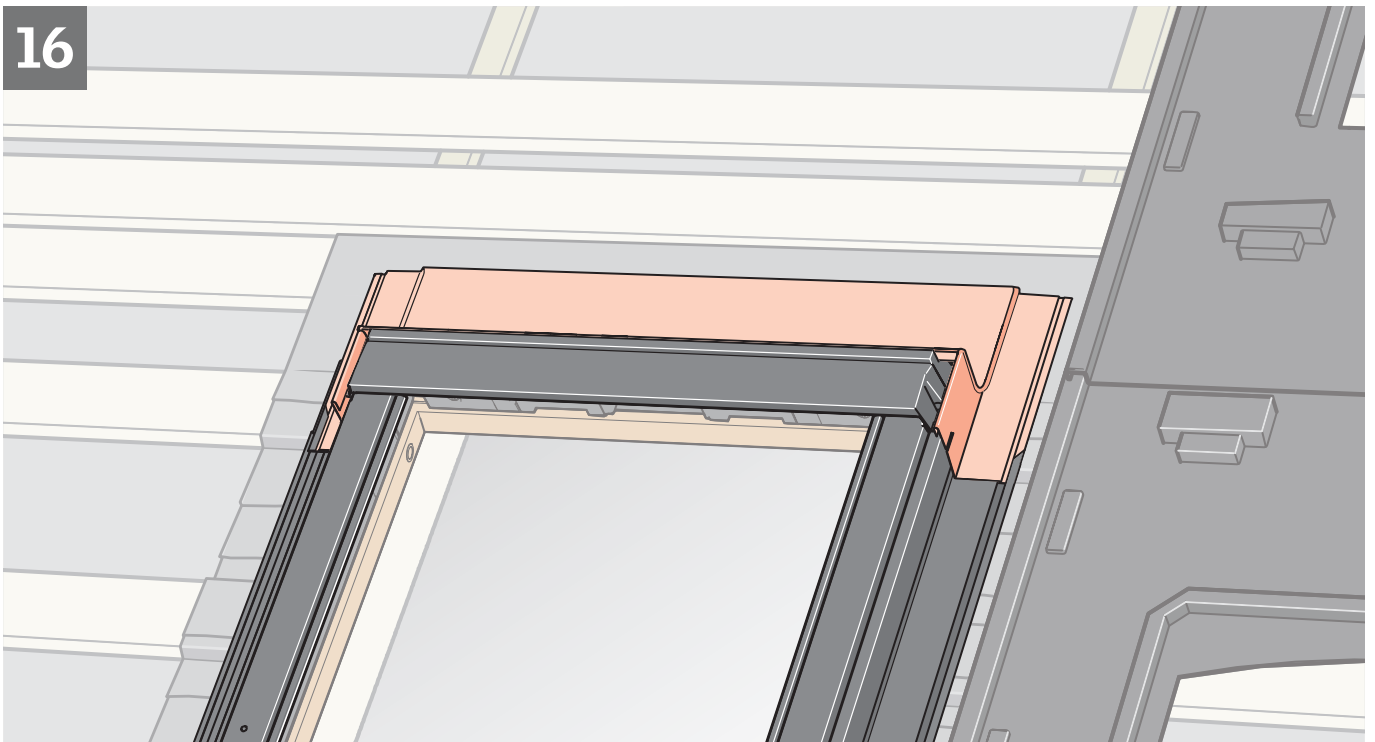
14



15



16



17

